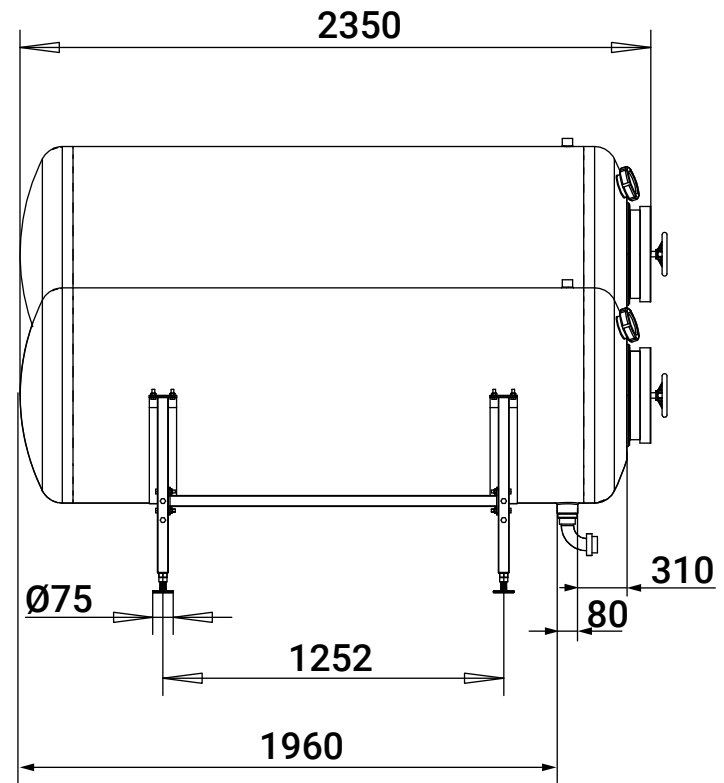
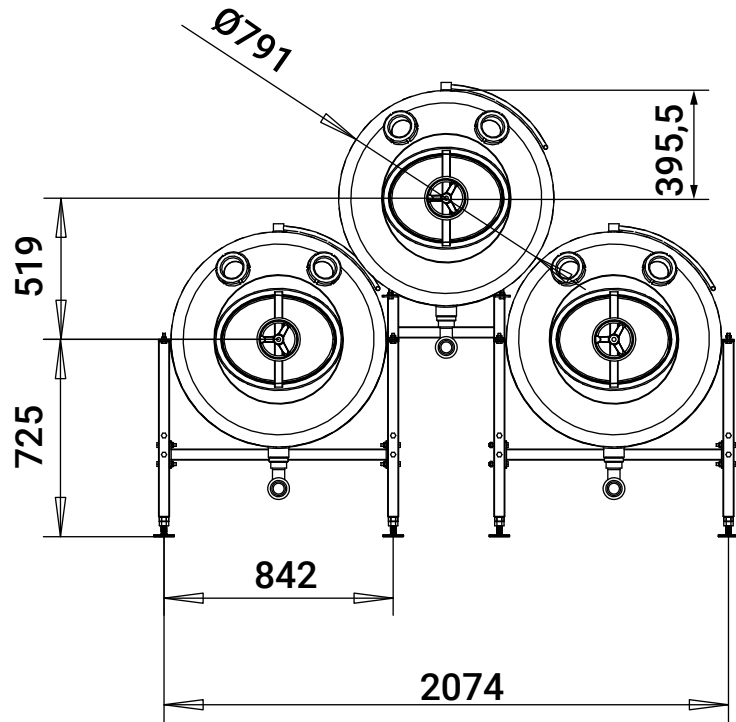


55631



2024-02-02